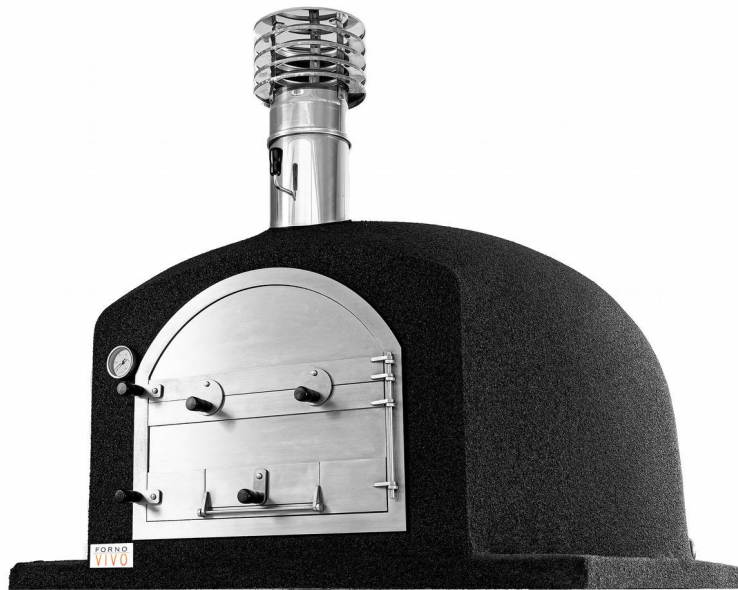


FORNO VIVO



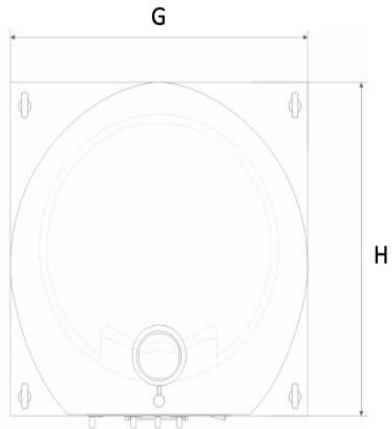
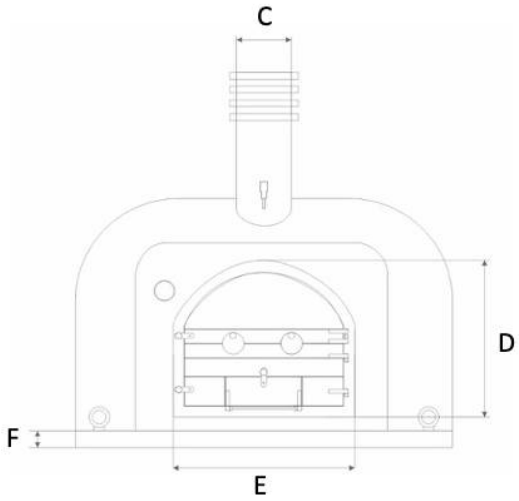
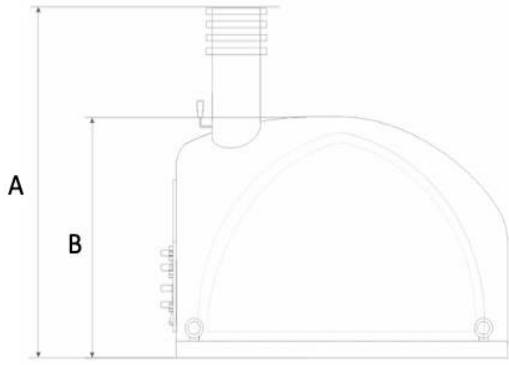
OTTIMO

BLACK	WHITE
Ref. 21A0201B	Ref. 21A0201W
CE 1935/2004 and CE 2003/2006 compliant	

TECHNICAL DETAILS

Weight	500 kg	Max Temperature	600°C (1000°F)
Floor Diameter	85 cm	Wood Consumption	3.0kg/h
Heating Time	90 min	Cooking Performance	220 pizzas per hour
Pizza Capacity	4	Chimney Dimension	Ø 15 cm
Bread Capacity	4 kg	Smoke Temperature	400° C

DIMENSIONS



A	100 cm
B	70 cm
C	15 cm
D	46 cm
E	53 cm
F	6 cm
G	110 cm
H	110 cm